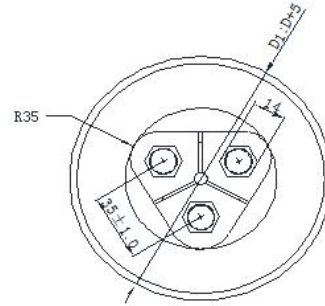
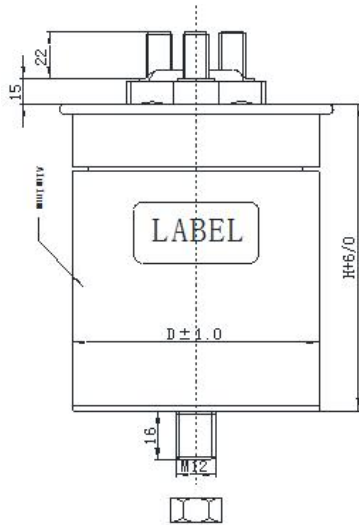




金屬化聚丙烯薄膜電容 (FMA) 交流濾波

METALLIZED POLYPROPYLENE FILM CAPACITOR (FMA) AC FILTER

**產品結構 Product structure**

- ◆ 電介子：金屬化聚丙烯薄膜
Dielectric: metallized polypropylene film
- ◆ 引出電極：鍍錫銅端子
Lead-out electrode: Tin Copper Terminal
- ◆ 封裝：鋁金屬外殼，樹脂填充
Encapsulation: aluminum case, resin filled

產品特點 Product characteristics

- ◆ 高電容密度
High capacitance density
- ◆ 高紋波電流
High Ripple Current
- ◆ 優良的自愈性
Excellent self-healing
- ◆ 內置熔斷保護裝置
Built-in fuse protection device

推薦應用 Recommended applications

- ◆ 逆變器
Inverter
- ◆ 變頻器
Frequency converter
- ◆ 智能電網
Smart grid
- ◆ AC 濾波
AC filter

電氣特性 Electrical characteristics

引用標準 Reference Standard	IEC61071/GBT17702-2021 AEC-Q200
工作溫度 Operating temperature	-40 ~ +85°C
容量範圍 Capacity Range	3*10 ~ 3*230μf
額定電壓 Rated voltage	450 ~ 1400VAC
容量誤差 Capacity error	±5% (J) ±10% (K)
損耗因素 Loss Factor	0.002 @ 100Hz 20°C±5°C
預期壽命 Life expectancy	100000hrs @ Un , θhs=70°C



極間電壓 Inter-pole voltage	1.5Urms/50Hz , 10s@20°C±5°C
極殼電壓 Polar shell voltage	Un ≤1500Vdc , 3000Vac (10s , 50Hz , 20°C±5°C) Un >1500Vdc , (1.5Un+1000) Vac (10s , 50Hz , 20°C±5°C)
絕緣電阻 Insulation Resistance	(IR × Cn) 30000s (20°C , 100Vdc , 1min)
最高使用海拔 Maximum altitude used	2000m

TYPE: FMA		SPECIFICATION				ELECTRICAL CHARACTERISTICS					
技術參數 Technical data											
Un (VDC)	CAP (μF)	Dimension (mm)				I _{rms} @45°C@10KHz A	ESR @1KHz (mΩ)	L _s (nH)	R _{th} (K/W)	Weight (kg)	I _{peak} (A)
		D	H	D1	P						
Urms 450VAC Un 640V											
450	3×50	76	200	81	30	3×42	3×2.2	90	3.5	1.18	2000
	3×60	76	230	81	30	3×42	3×2.3	100	3.1	1.31	2400
	3×68	86	200	91	30	3×50	3×1.8	90	3.0	1.45	2700
	3×80	86	230	91	30	3×49	3×2.0	100	2.8	1.61	3200
	3×100	96	230	101	30	3×55	3×1.7	100	2.5	1.95	4000
	3×125	116	200	121	35	3×66	3×1.4	90	2.2	2.75	5000
	3×150	116	230	121	35	3×66	3×1.5	100	2.1	3.08	6000
	3×200	136	230	141	35	3×75	3×1.3	100	1.8	4.02	8000
Urms 500VAC Un 707V											
500	3×45	76	200	81	30	3×42	3×2.3	90	3.5	1.18	1800
	3×55	76	230	81	30	3×42	3×2.4	100	3.2	1.31	2200
	3×60	86	200	91	30	3×49	3×1.9	90	3.0	1.45	2400
	3×75	86	230	91	30	3×49	3×2.3	100	2.8	1.62	2000
	3×90	96	230	101	30	3×54	3×1.8	100	2.5	1.96	3600
	3×110	116	200	121	35	3×65	3×1.5	90	2.2	2.76	4400
	3×135	116	230	121	35	3×66	3×1.5	100	2.1	3.08	5400
	3×190	136	230	141	35	3×76	3×1.3	100	1.8	4.04	7600
Urms 690VAC Un 975V											
690	3×18	76	200	81	30	3×44	3×2.7	90	3.5	1.16	900
	3×22	76	230	81	30	3×44	3×2.7	100	3.2	1.29	1100
	3×24	86	200	91	30	3×51	3×2.3	90	3.0	1.44	1200
	3×30	86	230	91	30	3×51	3×2.2	100	2.8	1.60	1500
	3×37	96	230	101	30	3×56	3×2.0	100	2.5	1.94	1900



TYPE: FMA SPECIFICATION

ELECTRICAL CHARACTERISTICS

技術參數 Technical data

Un (VDC)	CAP (uF)	Dimension (mm)				I _{rms} @45°C@10KHz A	ESR @1KHz (mΩ)	Ls (nH)	Rth (K/W)	Weight (kg)	I _{peak} (A)
		D	H	D1	P						
Urms 690VAC Un 975V											
690	3×54	116	230	121	35	3×68	3×1.6	100	2.1	3.05	2700
	3×71	116	275	121	35	3×69	3×1.6	110	1.9	3.53	3600
	3×78	136	230	141	35	3×78	3×1.4	100	1.8	4.00	3900
	3×102	136	275	141	35	3×80	3×1.4	110	1.6	4.65	5100
Urms 850VAC Un 1200V											
850	3×13	76	200	81	30	3×42	3×3.3	90	3.5	1.17	900
	3×16	76	230	81	30	3×42	3×3.2	100	3.2	1.30	1100
	3×22	86	230	91	30	3×49	3×2.6	100	2.8	1.60	1500
	3×27	96	230	101	30	3×55	3×2.3	100	2.5	1.94	1900
	3×32	116	200	121	35	3×65	3×1.9	90	2.2	2.73	2300
	3×40	116	230	121	35	3×66	3×1.8	100	2.1	3.05	2800
	3×52	116	275	121	35	3×66	3×1.8	110	1.9	3.54	3600
	3×55.7	136	230	136	35	3×76	3×1.6	100	1.8	4.00	3900
	3×75	136	275	136	35	3×77	3×1.5	110	1.6	4.66	5300
Urms 1400VAC Un 1980V											
1400	3×18	116	275	121	35	3×65	3×2.7	110	1.9	3.53	2300
	3×22	136	275	141	35	3×76	3×2.2	110	1.6	4.65	3400

壽命曲線圖 Expected Lifetime curve

