

■ Taping

● Crimped Lead

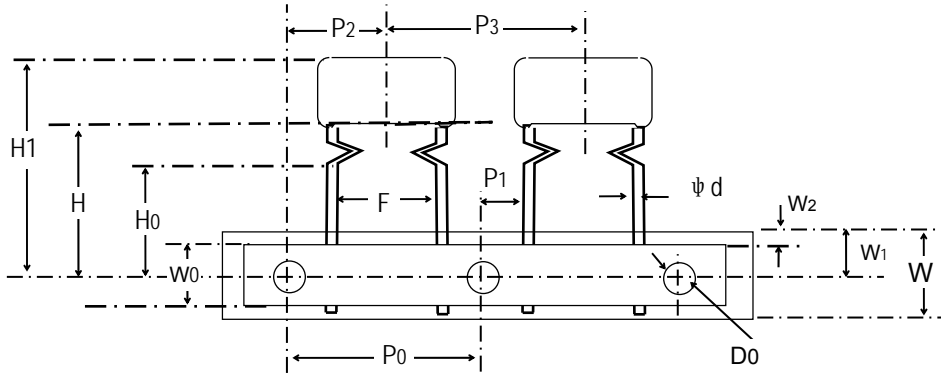


Fig 1 Pitch: 5.0 $P_0=12.7$
Pitch: 7.5 $P_0=15.0$

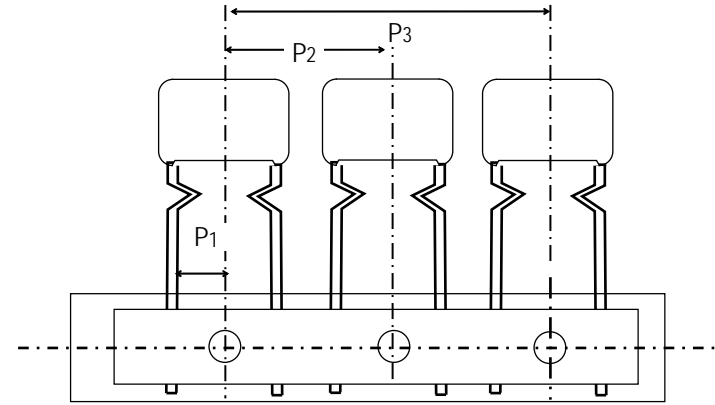


Fig 2 Pitch: 7.5 $P_0=12.7$

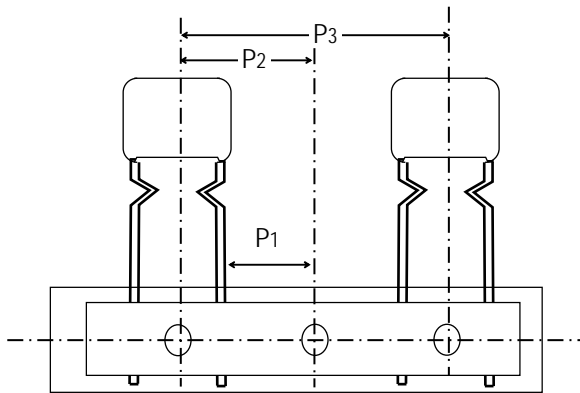


Fig 3 Pitch: 10.0/12.5/15 $P_0=12.7$

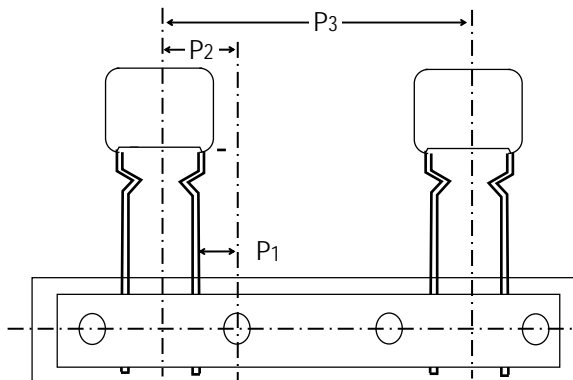


Fig 4 Pitch: 10.0 $P_0=12.7$

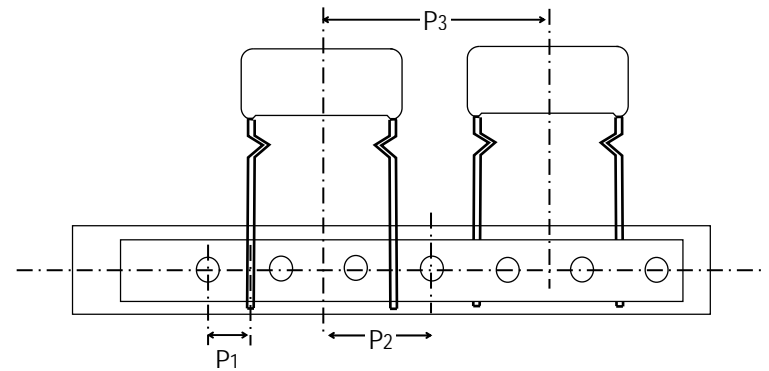


Fig 5 Pitch: 20.0/22.5/27.5 $P_0=12.7$

SCC

Taping and Packing

■ Taping

- Crimped Lead

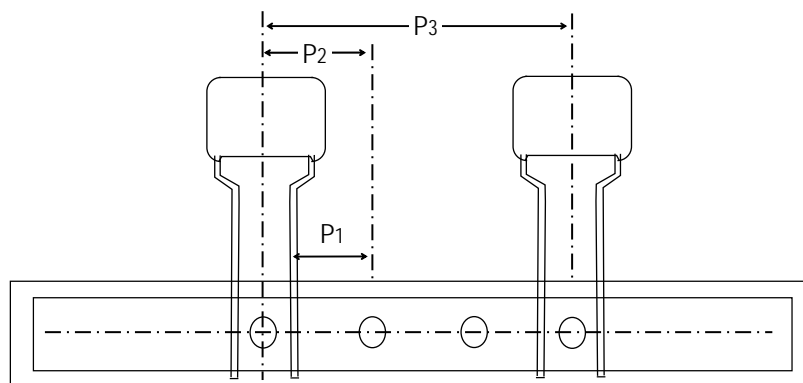


Fig 6 Pitch: 22.5 P₀=12.7

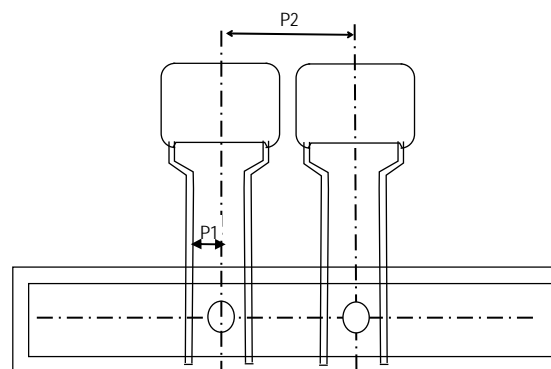


Fig 7 Pitch: 10 P₀=15.0

Fig 1.2.3.7	塗装	盒装	備註
	T < 8.0	T ≤ 6.5	不空格
	T ≥ 8.0	T > 6.5	空一格
Fig 4.6	不区分		不空格
Fig 5	T < 14	T < 13	不空格
	T ≥ 14	T ≥ 13	空一格

SCC

Taping and Packing

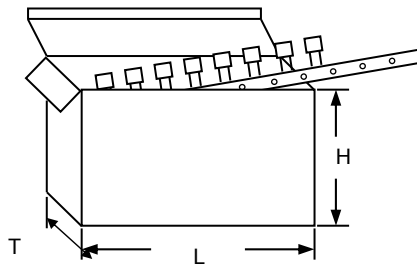
■ Taping

● Crimped Lead

代號	彎腳 TP 尺寸 (mm)																			誤差
	Fig.1				Fig.2		Fig.4	Fig.3						Fig.5			Fig.6	Fig.7		
本體 腳距	P50	P75	P75	P100	P100	P75	P225	P:10.0僅針 對盒裝品)	P:100	P:100	P:125	P:150	P:150	P:150	P:200	P:225	P:275	P:225	P:10	
D0	4.0	4.0	4.0	4.0	4.0	4.0	4.0	4.0	4.0	4.0	4.0	4.0	4.0	4.0	4.0	4.0	4.0	4.0	4.0	±0.1
F	5.0	5.0	7.5	5.0	5.0	7.5	15.0	5.0	7.5	10.0	12.5	7.5	15.0	10.0	20.0	22.5	27.5	15.0	7.5	±0.2
H	20.0	20.0	20.0	20.0	20.0	20.0	20.0	20.0	20.0	20.0	20.0	20.0	20.0	20.0	20.0	20.0	20.0	20.0	20.0	±0.5
H0	16.0	16.0	16.0	16.0	16.0	16.0	16.0	16.0	16.0	16.0	16.0	16.0	16.0	16.0	16.0	16.0	16.0	16.0	17.0	±0.5
H1	46.0	46.0	46.0	46.0	46.0	46.0	46.0	46.0	46.0	46.0	46.0	46.0	46.0	46.0	46.0	46.0	46.0	46.0	46.0	MAX
P0	12.7	12.7	15.0	12.7	15.0	12.7	12.7	12.7	12.7	12.7	12.7	12.7	12.7	12.7	12.7	12.7	12.7	12.7	15.0	±0.3
P1	3.85	3.85	3.75	3.85	5.0	3.75	5.2	3.85	8.95	7.7	6.45	8.95	5.2	7.7	9.05	7.8	5.3	5.2	3.75	±0.7
P2	6.35	6.35	7.5	6.35	7.5	12.7	12.7	6.35	12.7	12.7	12.7	12.7	12.7	12.7	19.05	19.05	19.05	12.7	15.0	±1.3
P3	12.7	12.7	15.0	12.7	15.0	25.4	38.1	25.4	25.4	25.4	25.4	25.4	25.4	25.4	38.1	38.1	38.1	38.1	15.0	±1.0
t	0.7	0.7	0.7	0.7	0.7	0.7	0.9	0.7	0.7	0.7	0.7	0.9	0.9	0.9	0.9	0.9	0.9	0.9	0.7	±0.2
W	18.0	18.0	18.0	18.0	18.0	18.0	18.0	18.0	18.0	18.0	18.0	18.0	18.0	18.0	18.0	18.0	18.0	18.0	18.0	±0.2
W0	8.0	8.0	8.0	8.0	8.0	8.0	9.5	9.5	9.5	9.5	9.5	9.5	9.5	9.5	9.5	9.5	9.5	9.5	8.0	min
W1	9.0	9.0	9.0	9.0	9.0	9.0	9.0	9.0	9.0	9.0	9.0	9.0	9.0	9.0	9.0	9.0	9.0	9.0	9.0	±0.2
W2	3.0	3.0	3.0	3.0	3.0	3.0	3.0	3.0	3.0	3.0	3.0	3.0	3.0	3.0	3.0	3.0	3.0	3.0	3.0	Max
△h	0	0	0	0	0	0	0	0	0	0	0	0	0	0	0	0	0	0	0	±2.0

■ Packing

Ammo Packing



STRONG COMPONENTS CO.,LTD

H1(mm)	(L*H*T)±3mm
≅ 35	330*264*48
≅ 46	330*264*58
≅ 51	330*264*65